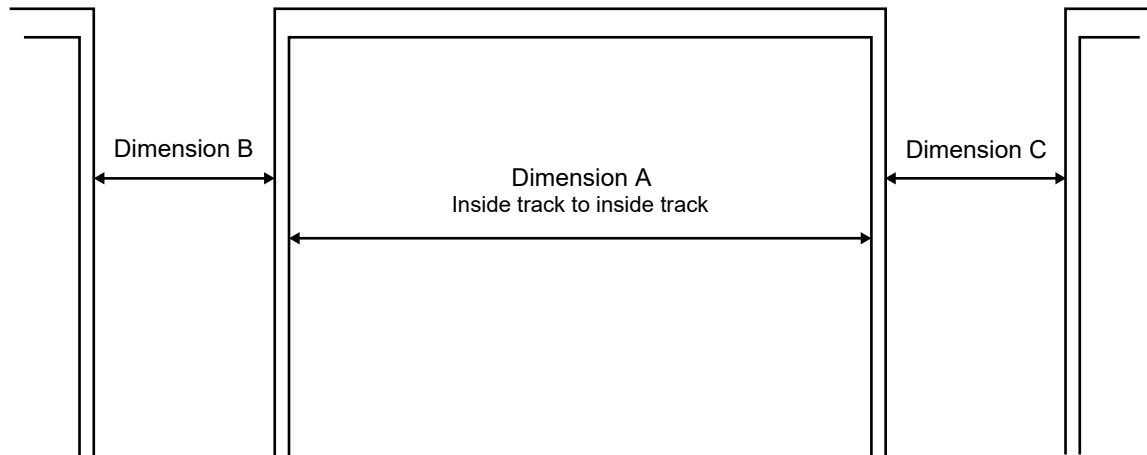


# Dock GUARD

## Specification Sheet and Submittal



Door#	Model#	Dimension A	Dimension B	Dimension C	Options (see chart below if applicable)	Latch
	<input type="radio"/> DG10 <input type="radio"/> DG20				<input type="checkbox"/> Interlocking Option_____	<input type="radio"/> Right <input type="radio"/> Left
	<input type="radio"/> DG10 <input type="radio"/> DG20				<input type="checkbox"/> Interlocking Option_____	<input type="radio"/> Right <input type="radio"/> Left
	<input type="radio"/> DG10 <input type="radio"/> DG20				<input type="checkbox"/> Interlocking Option_____	<input type="radio"/> Right <input type="radio"/> Left
	<input type="radio"/> DG10 <input type="radio"/> DG20				<input type="checkbox"/> Interlocking Option_____	<input type="radio"/> Right <input type="radio"/> Left
	<input type="radio"/> DG10 <input type="radio"/> DG20				<input type="checkbox"/> Interlocking Option_____	<input type="radio"/> Right <input type="radio"/> Left
	<input type="radio"/> DG10 <input type="radio"/> DG20				<input type="checkbox"/> Interlocking Option_____	<input type="radio"/> Right <input type="radio"/> Left
	<input type="radio"/> DG10 <input type="radio"/> DG20				<input type="checkbox"/> Interlocking Option_____	<input type="radio"/> Right <input type="radio"/> Left
	<input type="radio"/> DG10 <input type="radio"/> DG20				<input type="checkbox"/> Interlocking Option_____	<input type="radio"/> Right <input type="radio"/> Left
	<input type="radio"/> DG10 <input type="radio"/> DG20				<input type="checkbox"/> Interlocking Option_____	<input type="radio"/> Right <input type="radio"/> Left
	<input type="radio"/> DG10 <input type="radio"/> DG20				<input type="checkbox"/> Interlocking Option_____	<input type="radio"/> Right <input type="radio"/> Left
	<input type="radio"/> DG10 <input type="radio"/> DG20				<input type="checkbox"/> Interlocking Option_____	<input type="radio"/> Right <input type="radio"/> Left

### Interlocking options

- 1. Restraint Switch – If gate is closed and latched the restraint can release. (Switch is on the latch side)
- 2. Leveler Switch – If gate is fully open the dock leveler can operate (Switch is on the hinge side)
- 3. Restraint and Latch Interlock – If restraint is engaged the gate can be unlatched. When gate is latched the restraint can release. (Switches are on latch side. This includes the restraint switch from option 1).
- 4. Combination of 1 and 2
- 5. Combination of 2 and 3

Customer: \_\_\_\_\_

Job: \_\_\_\_\_

Location: \_\_\_\_\_

Number of Units: \_\_\_\_\_

Voltage/Phase: \_\_\_\_\_

Represented By: \_\_\_\_\_

SalesRep: \_\_\_\_\_

Certified For Construction:

By: \_\_\_\_\_

Date: \_\_\_\_\_

Company: \_\_\_\_\_

City & State: \_\_\_\_\_

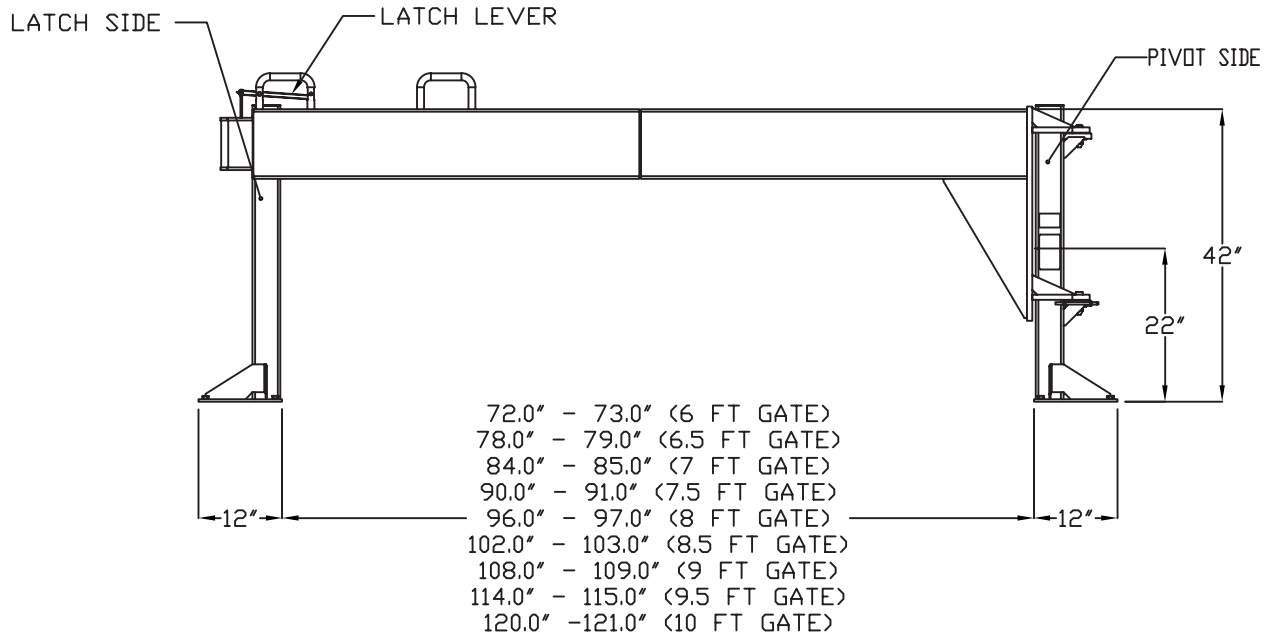
Drawing #: \_\_\_\_\_

A continuing product improvement process is in effect at Systems, LLC. We reserve the right to make product changes without prior notice.

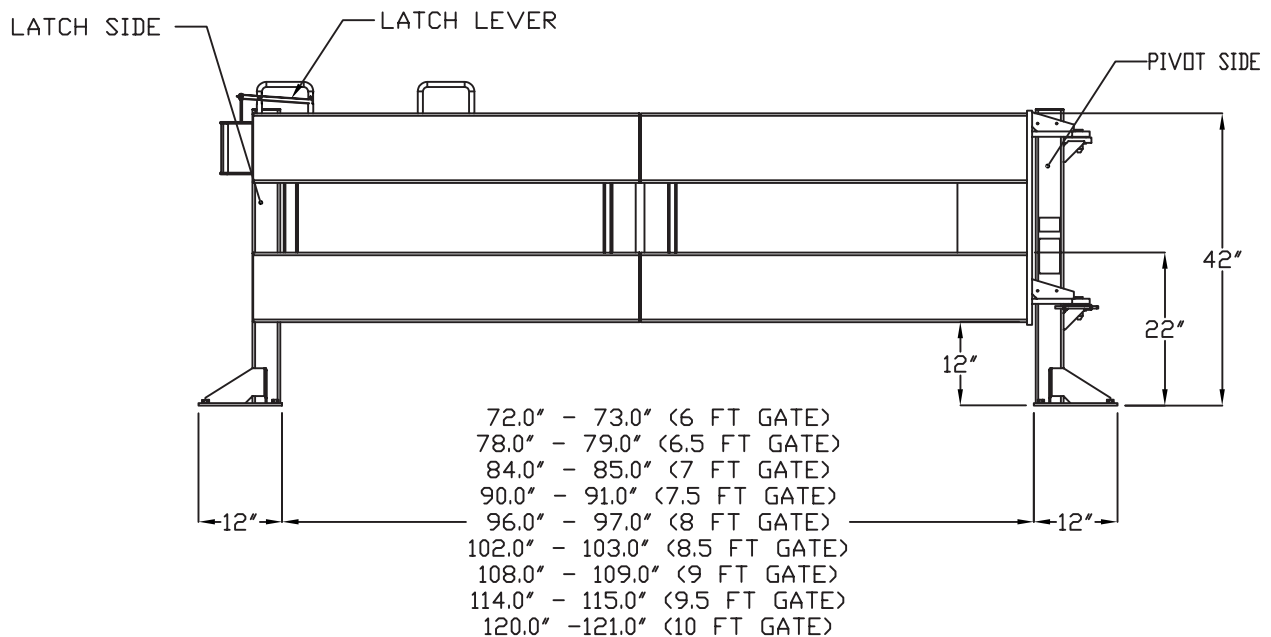
Allied Dock Solutions • W194 N11481 McCormick Dr. • Germantown, WI 53022  
Phone: 800.643.5424 • Email: sales@allieddocksolutions.com • www.allieddocksolutions.com

# Dock GUARD

## Specification Sheet and Submittal



DG-10 ELEVATION - FROM WAREHOUSE  
 CLOSED POSITION - LEFT HAND GATE



DG-20 ELEVATION - FROM WAREHOUSE  
 CLOSED POSITION - LEFT HAND GATE